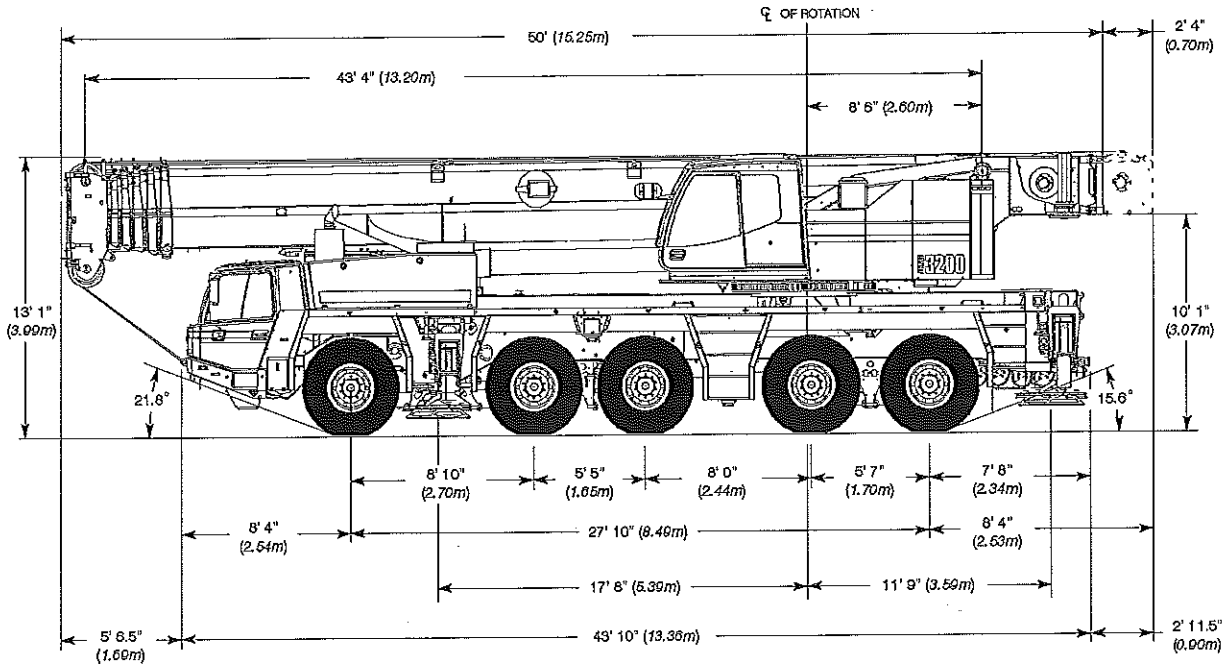


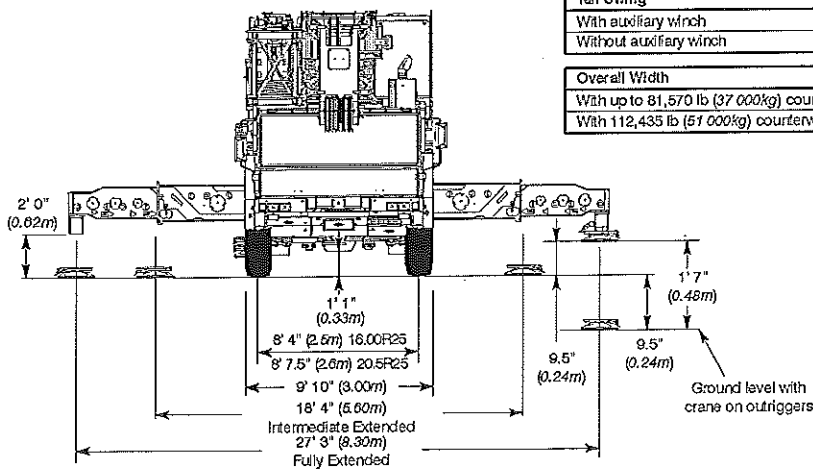
General Dimensions



Turning Radius	20.5R25		16.00R25	
	English	Metric	English	Metric
Wall to wall over carrier	36' 0"	11.0m	35' 9"	10.9m
Wall to wall over boom	38' 4"	11.7m	38' 1"	11.6m
Wall to wall over boom attachment	40' 7"	12.4m	40' 4"	12.3m
Curb to curb	32' 2"	9.80m	31' 11"	9.72m
Centerline of tire	31' 5"	9.6m	31' 2"	9.5m

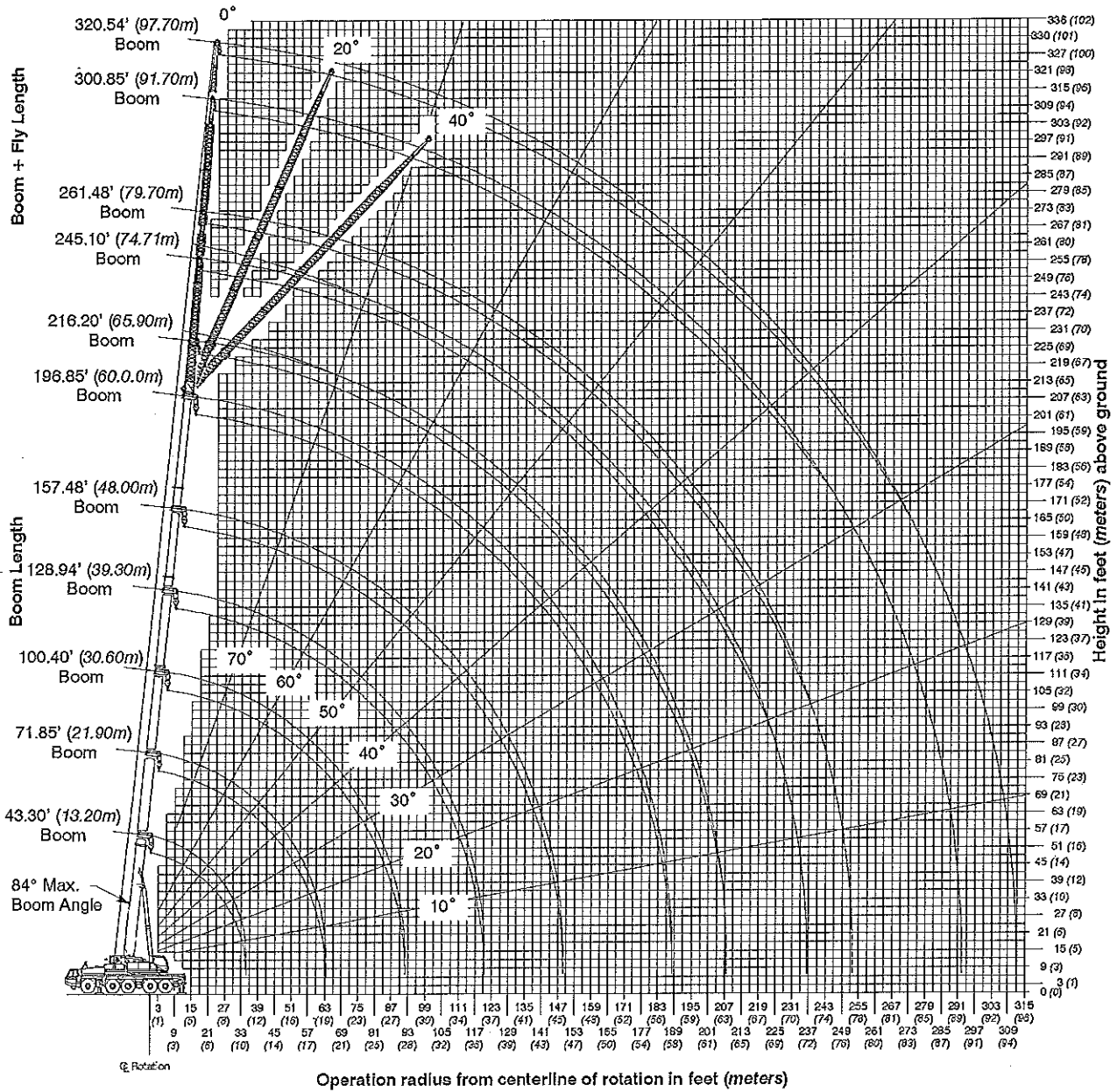
Tail Swing	English	Metric
With auxiliary winch	16' 8"	5.1m
Without auxiliary winch	14' 5"	4.4m

Overall Width	English	Metric
With up to 81,570 lb (37,000kg) counterweight	9' 10"	3.0m
With 112,435 lb (51,000kg) counterweight	15' 1"	4.6m



Not To Scale

Working Range Diagram



Main Boom Lift Capacity Charts

112,435 lb Counterweight – Fully Extended Outriggers – 360° Rotation (All Capacities Are Listed In Thousand Pounds)														
Radius (ft)	Boom Length (ft)													Radius (ft)
	43.3 (l)	43.3	57.7	71.9	86.3	100.4	114.8	128.9	143.3	157.5	171.9	186.0	196.9	
9	400.0*													9
10	350.5*	307.5*	264.5*	255.0*	196.5									10
12	322.5*	279.0*	264.5*	255.0*	196.5	162.5								12
14	294.5*	254.5*	255.0*	250.0*	196.5	156.0								14
16	270.0*	228.5	229.0	228.5	196.5	145.5	121.5							16
18	243.0	209.5	210.0	209.5	196.5	136.5	119.5							18
20	216.5	193.5	194.0	193.0	194.0	128.0	117.0	91.3	73.6					20
25	163.5	161.0	161.5	164.5	163.5	111.0	102.0	91.3	73.6	59.3				25
30	134.5	134.5	136.5	138.0	136.5	97.5	95.5	83.8	73.3	59.3	47.6	37.5		30
35			115.0	117.0	115.5	87.1	88.8	75.3	68.3	58.0	47.0	37.5	30.9	35
40			99.8	101.0	99.8	78.0	82.2	68.0	61.7	54.9	45.7	37.4	30.9	40
45			87.4	88.5	87.4	71.9	76.5	62.0	56.5	51.2	42.9	36.3	30.9	45
50				79.4	78.0	66.7	71.4	56.7	51.9	47.9	40.1	34.4	30.9	50
55				70.3	68.8	62.0	67.6	52.2	47.8	44.6	37.7	32.4	30.0	55
60				60.5	59.7	58.3	63.8	48.3	44.2	41.3	35.6	30.5	28.4	60
65					52.5	56.4	56.3	44.7	41.0	38.5	33.5	28.9	27.1	65
70					46.6	51.7	50.3	41.8	38.2	35.9	31.8	27.5	25.7	70
75					43.3	46.7	45.2	40.4	35.7	33.6	30.2	26.1	24.5	75
80						42.2	40.7	39.2	33.4	31.5	28.8	24.9	23.3	80
85						38.4	36.8	35.5	31.4	29.4	27.4	23.9	21.9	85
90						34.5	33.6	32.3	30.0	27.7	26.2	22.7	20.4	90
95							30.7	29.4	28.5	26.2	25.1	21.7	19.1	95
100							28.0	27.5	26.6	24.8	23.8	20.9	17.9	100
110								25.1	22.2	22.1	21.6	19.2	15.7	110
120									18.5	19.9	19.8	17.9	14.0	120
130									17.7	17.9	16.9	16.5	12.2	130
140										15.4	15.1	14.9	10.7	140
150											14.0	13.0	9.4	150
160												12.1	8.3	160
170													9.3	170
180														180

* Special Conditions Or Wire Rope Required
(l) Over Rear Only With Swing Lock Engaged

This information is not for crane operation. Operator must refer to the in-cab information for crane operation. Rated lifting capacities shown on fully extended outriggers do not exceed 85% of the tipping loads.