

# Load Rating Chart

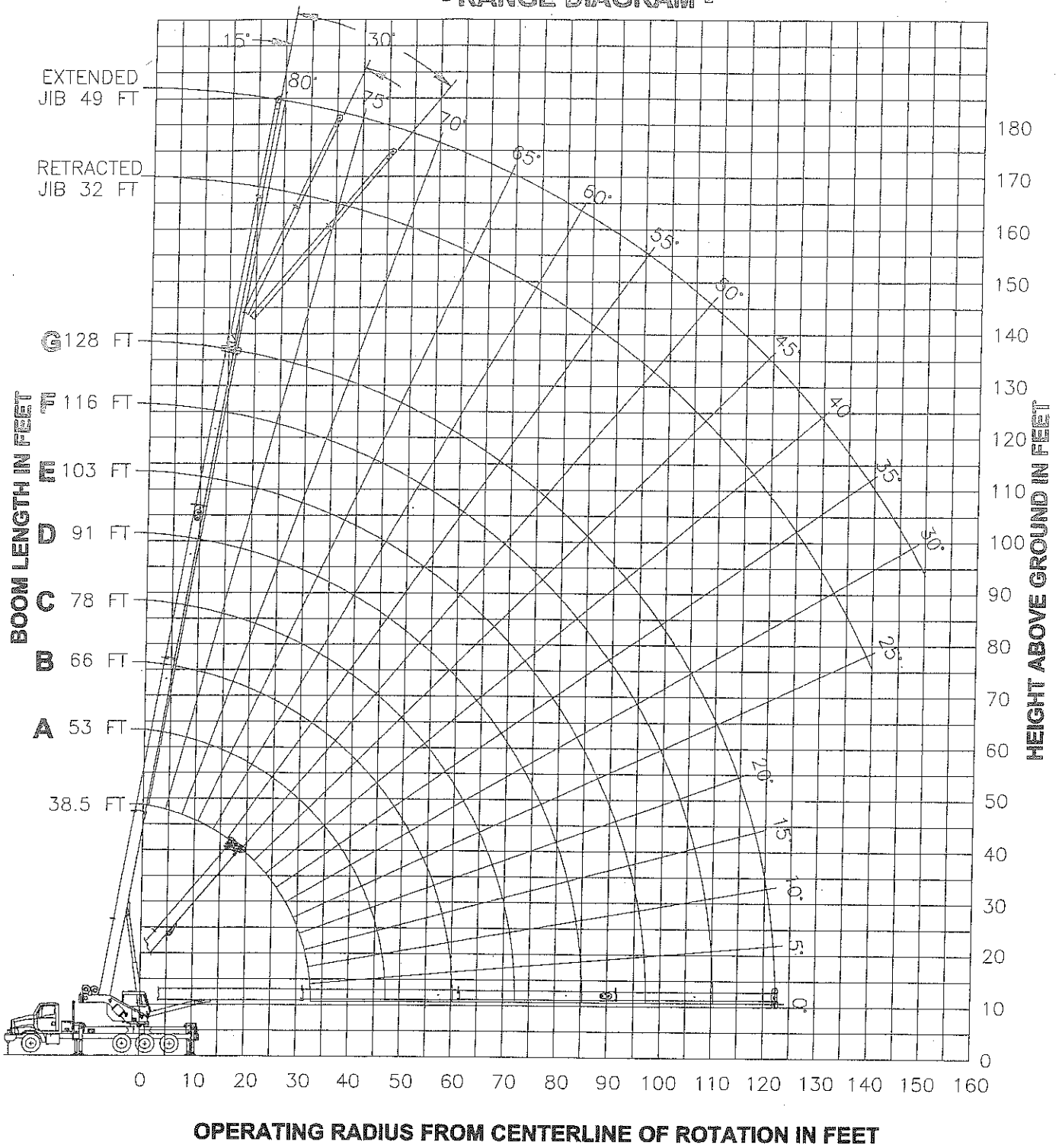
**Model 50128S**

**Manitex**

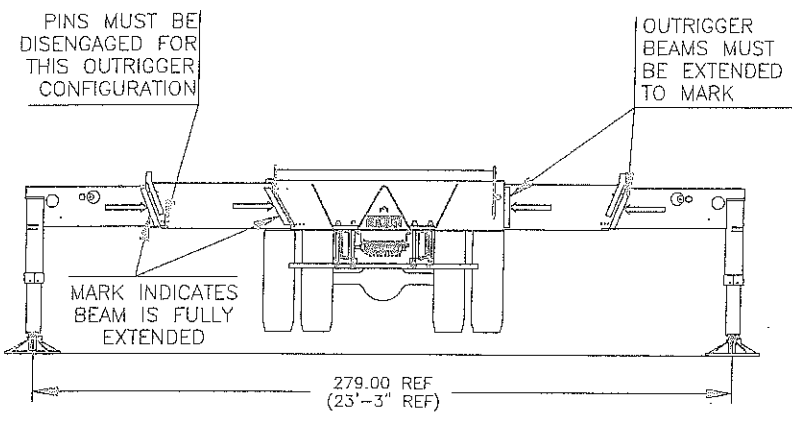
© Manitex 2000

**NOTE:** Additional copies of this Load Rating Chart can be purchased from your Manitex Distributor. When ordering, use the part number shown in the bottom left corner of this page.

**- RANGE DIAGRAM -**



**USE THIS CHART ONLY  
WHEN ALL OUTRIGGER  
BEAMS ARE FULLY  
EXTENDED**



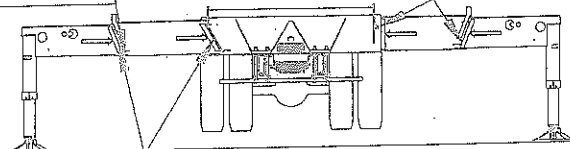
**32 FT RETRACTED JIB LIFTING CAPACITIES**

LOAD RADIUS (FT)	LOADED BOOM ANGLE (DEG)	0' OFFSET		15' OFFSET			30' OFFSET		
		CODE 7 OVER REAR (LBS)	CODE 8 FULL 360' (LBS)	LOADED BOOM ANGLE (DEG)	CODE 9 OVER REAR (LBS)	CODE 10 FULL 360' (LBS)	LOADED BOOM ANGLE (DEG)	CODE 11 OVER REAR (LBS)	CODE 12 FULL 360' (LBS)
35	78	5400	5400						
40	76.5	5400	5400	79.5	5400	5400			
45	75	5400	5400	78	5400	5400			
50	73.5	5400	5400	76.5	5400	5400	79	5400	5400
55	72	5400	5400	74.5	5400	5400	77	5400	5400
60	70	5400	5400	73	5400	5400	75	5400	5400
65	68.5	5400	5400	71	5400	5400	73	5240	5240
70	66.5	5210	5210	69	5230	5230	71.5	4990	4990
75	64.5	4740	4740	67	4970	4970	69.5	4750	4750
80	62.5	4300	4030	65	4570	4480	67.5	4520	4520
85	60.5	3890	3390	63	4140	3790	65	4310	4120
90	58	3510	2820	61	3740	3190	63	3930	3480
95	55.5	3160	2320	58.5	3360	2650	60.5	3540	2920
100	53	2820	1880	56	3010	2180	58	3170	2410
105	50.5	2520	1490	53.5	2690	1760	55.5	2830	1960
110	48	2230	1130	50.5	2390	1380	52.5	2510	1560
115	45.5	1960	810	48	2100	1030	49.5	2210	1180
120	42.5	1700		45	1830		46.5	1920	840
125	39.5	1470		42	1580		43	1660	
130	36.5	1240		38.5	1350		39.5	1400	
135	32.5	1030		34.5	1120		35.5	1160	
140	28.5	840		30.5	910		30.5	920	
145									

**USE THIS CHART ONLY  
WHEN ALL OUTRIGGER  
BEAMS ARE FULLY  
EXTENDED**

PINS MUST BE  
DISENGAGED FOR  
THIS OUTRIGGER  
CONFIGURATION

OUTRIGGER  
BEAMS MUST  
BE EXTENDED  
TO MARK



**MAIN BOOM LIFTING CAPACITIES**

LOAD RADIUS (FT)	BOOM LENGTH 38.5 FT			BOOM LENGTH 53 FT (A)			BOOM LENGTH 66 FT (B)			BOOM LENGTH 78 FT (C)			LOAD RADIUS (FT)
	LOADED BOOM ANGLE (DEG)	CODE 1 OVER REAR (LBS)	CODE 3 FULL 360° (LBS)	LOADED BOOM ANGLE (DEG)	CODE 1 OVER REAR (LBS)	CODE 3 FULL 360° (LBS)	LOADED BOOM ANGLE (DEG)	CODE 1 OVER REAR (LBS)	CODE 3 FULL 360° (LBS)	LOADED BOOM ANGLE (DEG)	CODE 1 OVER REAR (LBS)	CODE 3 FULL 360° (LBS)	
6	73.5	100000	100000										6
8	70.5	86600	86600										8
10	67	76400	76400	74.5	51000	51000	78	51000	51000				10
12	64	68400	68400	72.5	51000	51000	76.5	51000	51000	79	41710	41710	12
15	59	59000	59000	68.5	51000	51000	73.5	46650	46650	77	37880	37880	15
20	49.5	47670	47670	62.5	45700	45700	69	39300	39300	73	32140	32140	20
25	38.5	36900	36900	56	37680	37680	64	33450	33450	69	27890	27890	25
30	23.5	29590	26680	49.5	30410	27890	59	29140	28440	65	24230	24230	30
35				41.5	25170	20650	54	25490	21160	61	21310	21310	35
40				32	20620	15940	48	21090	16440	56.5	19160	16730	40
45				18.5	16770	12610	42	17270	13130	52	17070	13410	45
50							34.5	14390	10670	46.5	14660	10950	50
55							25	12140	8760	41	12420	9050	55
60							7	9790	7200	35	10620	7540	60
65										27	9140	6300	65
70										16	7890	5260	70
													DEDUCTIONS FOR MAIN BOOM CAPACITIES
1230 LBS			890 LBS			720 LBS			610 LBS			STOWED JIB	
2840 LBS			2620 LBS			2500 LBS			2430 LBS			ERECTED JIB (RETRACTED)	
3170 LBS			2860 LBS			2700 LBS			2600 LBS			ERECTED JIB (EXTENDED)	

LOAD RADIUS (FT)	BOOM LENGTH 91 FT (D)			BOOM LENGTH 103 FT (E)			BOOM LENGTH 116 FT (F)			BOOM LENGTH 128 FT (G)			LOAD RADIUS (FT)
	LOADED BOOM ANGLE (DEG)	CODE 1 OVER REAR (LBS)	CODE 3 FULL 360° (LBS)	LOADED BOOM ANGLE (DEG)	CODE 1 OVER REAR (LBS)	CODE 3 FULL 360° (LBS)	LOADED BOOM ANGLE (DEG)	CODE 1 OVER REAR (LBS)	CODE 3 FULL 360° (LBS)	LOADED BOOM ANGLE (DEG)	CODE 1 OVER REAR (LBS)	CODE 3 FULL 360° (LBS)	
15	79	30000	30000										15
20	76	26010	26010	78.5	22790	22790	78	17660	17660				20
25	72.5	22620	22620	75.5	20160	20160	75.5	16060	16060	77.5	13000	13000	25
30	69.5	20000	20000	72.5	18080	18080	73	14480	14480	75.5	12760	12760	30
35	66	17710	17710	70.5	16070	16070	70.5	13050	13050	73	11760	11760	35
40	62.5	15740	15740	67.5	14360	14360	68	11780	11780	71	10800	10800	40
45	59	14050	13620	64	12900	12900	65	10640	10640	68.5	10000	10000	45
50	55	12620	11150	60.5	11610	11290	62	9890	9490	66	9130	9130	50
55	50.5	11380	9250	57	10500	9380	59	8970	7970	63.5	8320	8050	55
60	46.5	10340	7740	53.5	9760	7870	56	8160	6740	60.5	7570	6820	60
65	41.5	9340	6510	50	8860	6640	53	7430	5720	58	6910	5790	65
70	36.5	8110	5490	46	8060	5620	50	6780	4860	55	6300	4930	70
75	30	7060	4620	41.5	7190	4750	46	6180	4120	52	5750	4190	75
80	22	6160	3870	37	6300	4020	42.5	5620	3480	49	5250	3550	80
85	7	5290	3200	31.5	5520	3380	38	4940	2920	46	4790	3000	85
90				25	4830	2810	33.5	4340	2430	42	4370	2510	90
95				15.5	4210	2300	28.5	3800	1990	38.5	3870	2070	95
100							21.5	3310	1590	34	3390	1680	100
105							7.5	2860	1220	29.5	2960	1320	105
110										23.5	2560	1000	110
115										15	2200		115
120													120
													DEDUCTIONS FOR MAIN BOOM CAPACITIES
520 LBS			460 LBS			410 LBS			370 LBS			STOWED JIB	
2370 LBS			2330 LBS			2300 LBS			2280 LBS			ERECTED JIB (RETRACTED)	
2520 LBS			2460 LBS			2410 LBS			2380 LBS			ERECTED JIB (EXTENDED)	

# Range Diagram For Rotating Man Basket

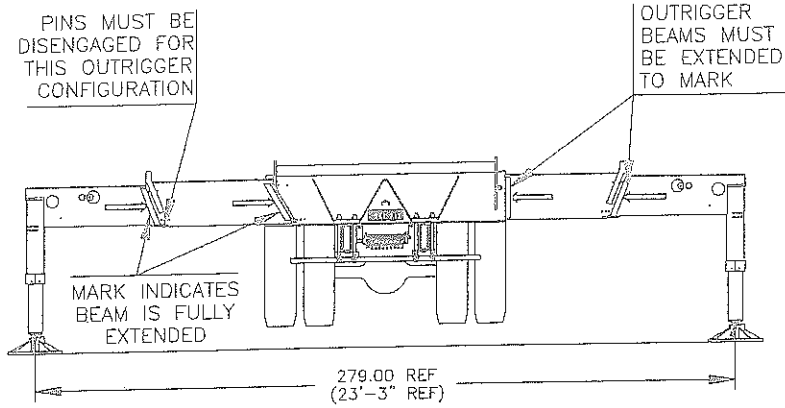
**Model 50128S**

**Manitex**

© Manitex 2000

**NOTE:** Additional copies of this Load Rating Chart can be purchased from your Manitex Distributor. When ordering, use the part number shown in the bottom left corner of this page.

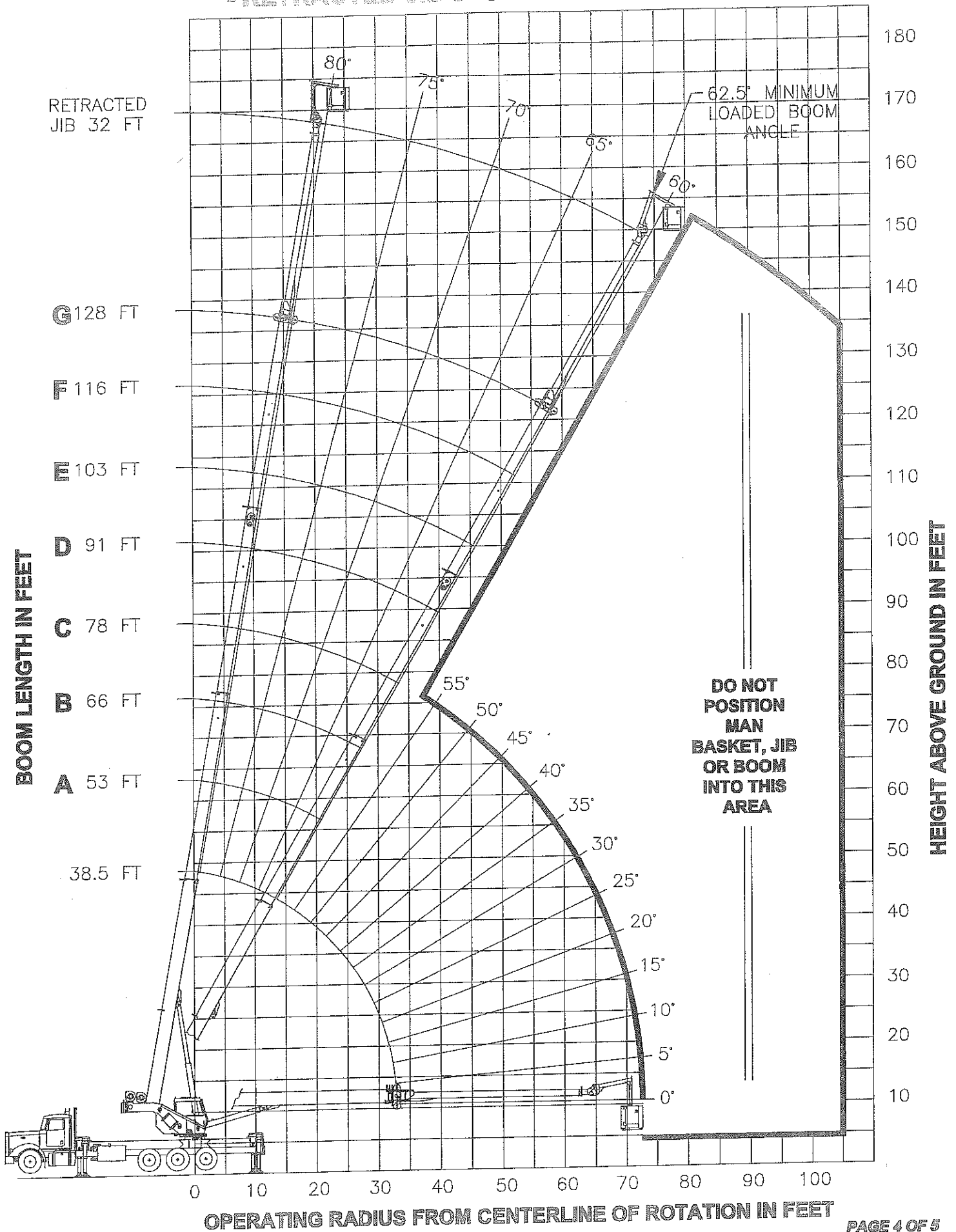
**USE THIS CHART ONLY  
WHEN ALL OUTRIGGER  
BEAMS ARE FULLY  
EXTENDED**



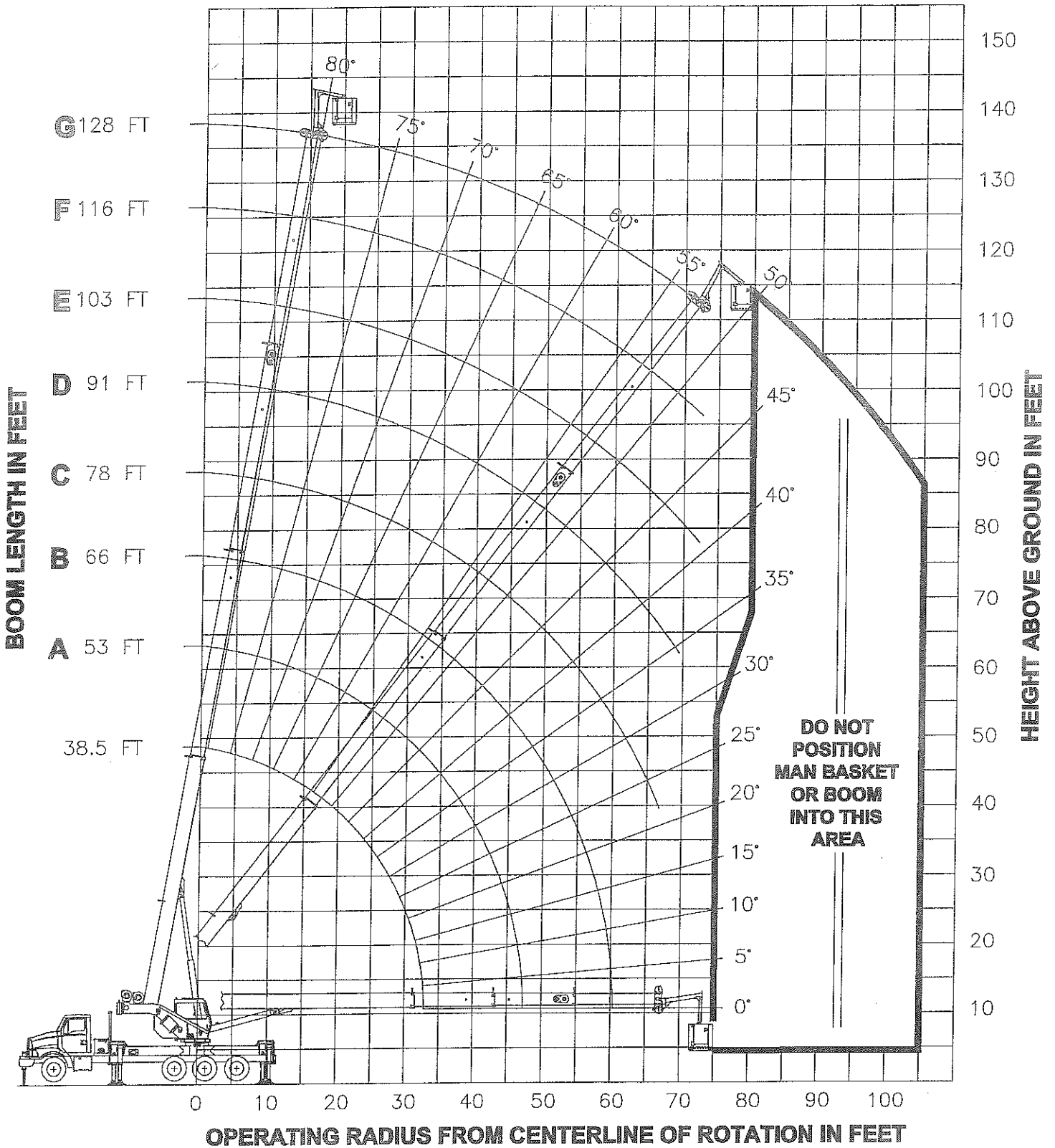
**49 FT EXTENDED JIB LIFTING CAPACITIES**

LOAD RADIUS (FT)	LOADED BOOM ANGLE (DEG)	0' OFFSET		15' OFFSET			30' OFFSET		
		CODE 13 OVER REAR (LBS)	CODE 14 FULL 360° (LBS)	LOADED BOOM ANGLE (DEG)	CODE 15 OVER REAR (LBS)	CODE 16 FULL 360° (LBS)	LOADED BOOM ANGLE (DEG)	CODE 17 OVER REAR (LBS)	CODE 18 FULL 360° (LBS)
40	78	4300	4300						
45	76.5	4300	4300						
50	75	4300	4300	79.5	4300	4300			
55	73.5	4300	4300	78	4300	4300			
60	72	4300	4300	76.5	4300	4300	79.5	3700	3700
65	70.5	4300	4300	75	4300	4300	78	3590	3590
70	69	4300	4300	73.5	4230	4230	76	3490	3490
75	67.5	4300	4300	71.5	4080	4080	74	3390	3390
80	66	4240	4240	70	3930	3930	72.5	3300	3300
85	64.5	4030	4010	68.5	3760	3760	70.5	3220	3220
90	63	3740	3430	66.5	3590	3590	69	3140	3140
95	61	3430	2930	64.5	3420	3420	67	3070	3070
100	59	3120	2480	62.5	3270	2950	65	3000	3000
105	57	2840	2080	60.5	3100	2510	63	2940	2870
110	54.5	2560	1720	58	2810	2120	61	2880	2440
115	52	2310	1400	56	2540	1760	58.5	2720	2050
120	49.5	2070	1100	53.5	2280	1430	56	2450	1690
125	47	1840	830	51	2040	1130	53.5	2190	1360
130	44.5	1630		48	1810	860	50.5	1940	1060
135	42	1430		45.5	1590		47.5	1700	770
140	39.5	1240		42.5	1390		44.5	1480	
145	36.5	1060		39.5	1190		41	1260	
150	33	900		36	1000		37	1050	
155				32	820		32.5	850	
160									

**RETRACTED JIB 8° OFFSET RANGE DIAGRAM**



**- MAIN BOOM RANGE DIAGRAM -**





**- EXTENDED JIB 0° OFFSET RANGE DIAGRAM -**

