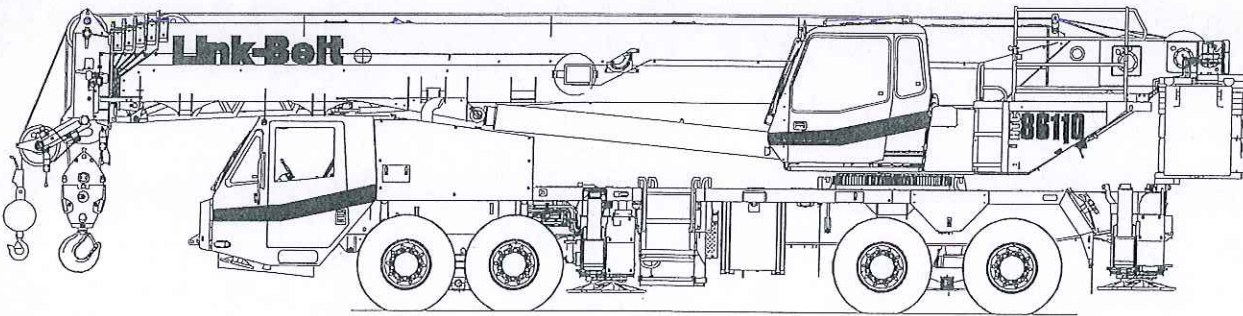


Technical Data

Specifications & Capacities

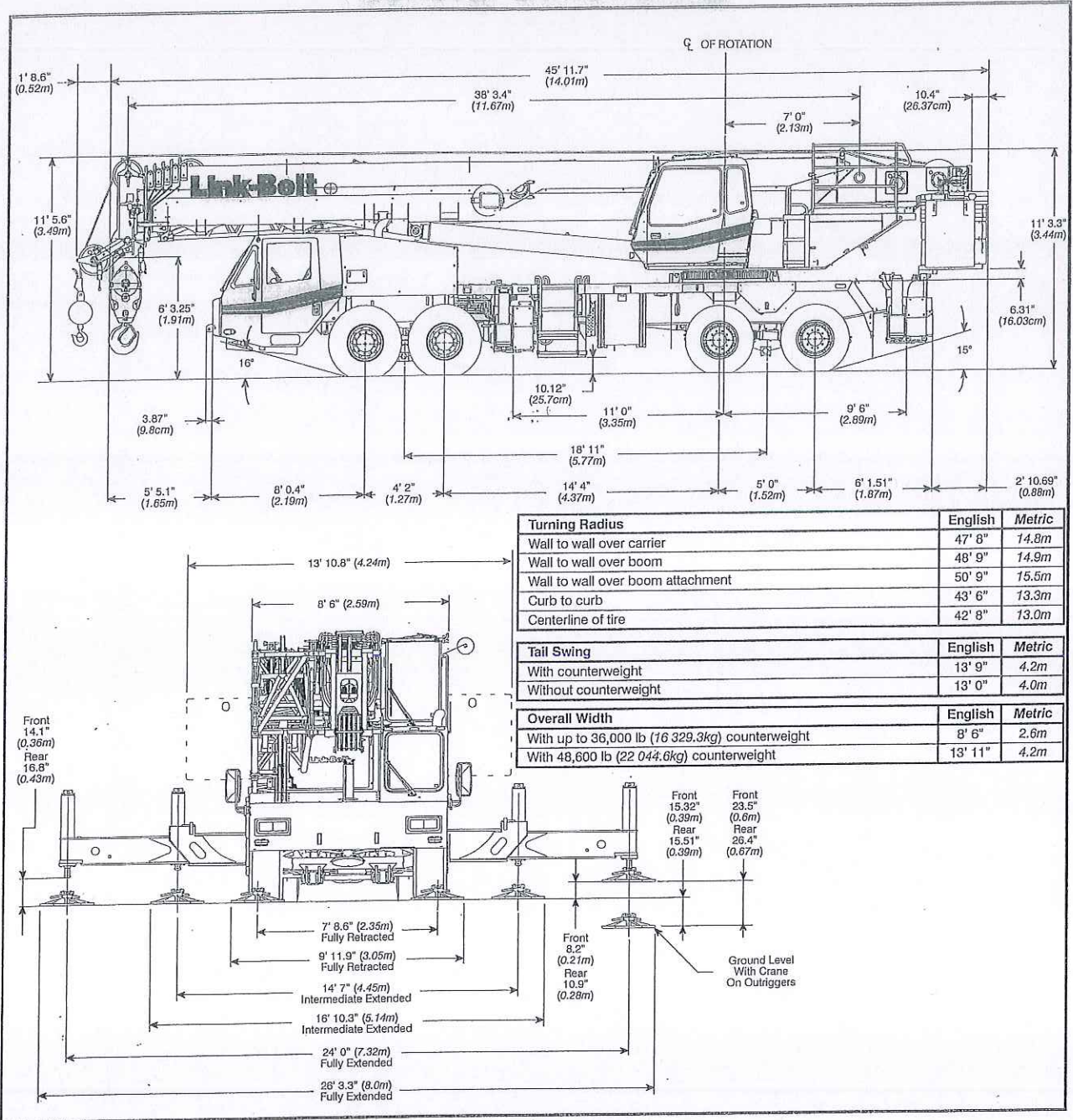
HTC 86110

Telescopic Boom Truck Crane
110 US ton
100 metric ton



CAUTION: This material is supplied for reference use only. Operator must refer to in-cab Crane Rating Manual and Operator's Manual to determine allowable crane lifting capacities and assembly and operating procedures.

General Dimensions



Tire Inflation

Tire Size	Operation	Tire Pressure (psi)
315/80R 22.5	1 mph	130
	Stationary	130

Pontoon Loadings

Maximum Pontoon Load (lb)	Maximum Pontoon Ground Bearing Pressure (psi)
Front - 97,400	200
Rear - 112,000	231
Front Bumper - 54,000	269

36,000 lb Counterweight – Fully Extended Outriggers – 360° Rotation (All Capacities Are Listed In Pounds)												
Radius (ft)	Main Boom											Radius (ft)
	Boom Length (ft)											
	38.3	50.0- 50.5	60.0- 63.0	73.8- 76.1	85.0- 89.5	99.4- 100.0	110.0- 115.0	125.0- 126.3	137.2- 140.3	150.0- 152.4	164.1	
7	220,000*											7
8	200,000*											8
9	175,000											9
10	165,700	160,300	137,600									10
12	149,300	146,900	137,600	120,400								12
15	128,000	129,800	124,700	120,400	91,500							15
20	95,500	98,300	99,200	98,900	91,500	65,800	50,400					20
25	73,900	76,900	77,900	77,700	76,900	65,800	50,400	38,700	25,400			25
30	59,300	62,300	63,300	63,300	64,400	63,600	50,400	38,700	30,800	24,400		30
35		51,700	52,800	54,300	54,000	53,300	46,200	38,700	30,800	24,400	19,600	35
40		42,400	44,300	44,700	44,300	43,400	41,700	38,200	30,800	24,400	19,600	40
45			36,700	37,200	36,800	35,900	35,100	35,300	30,800	24,400	19,600	45
50			31,000	31,600	31,200	31,500	31,100	30,500	29,500	24,400	19,600	50
55			26,500	27,100	27,400	27,800	26,800	26,100	26,500	24,400	19,600	55
60				23,500	24,600	24,200	24,100	23,700	23,000	22,500	19,600	60
65				20,800	21,700	21,300	21,200	21,200	21,400	20,800	19,600	65
70					19,200	19,100	18,800	19,300	19,000	18,300	17,700	70
75					17,100	17,000	16,900	17,200	16,900	16,300	15,700	75
80					14,600	15,800	15,900	15,600	15,300	14,700	14,100	80
85						14,300	14,400	14,000	13,800	13,100	12,600	85
90						13,000	13,000	12,700	12,400	11,800	11,200	90
95							11,800	11,500	11,200	10,600	10,100	95
100							10,700	10,400	10,100	9,600	9,000	100
105							8,100	9,400	9,200	8,600	8,100	105
110								8,600	8,300	7,800	7,200	110
115								7,800	7,500	7,000	6,500	115
120									6,800	6,300	5,800	120
125									6,200	5,600	5,100	125
130									5,600	5,000	4,500	130
135										4,500	4,000	135
140										4,000	3,500	140
145										2,500	3,000	145
150											2,600	150
155											2,200	155

* Over rear and ASME B30.5 or special equipment

This information is not for crane operation. Operator must refer to the in-cab information for crane operation. Rated lifting capacities shown on fully extended outriggers do not exceed 85% of the tipping loads and on tires do not exceed 75% of the tipping loads.